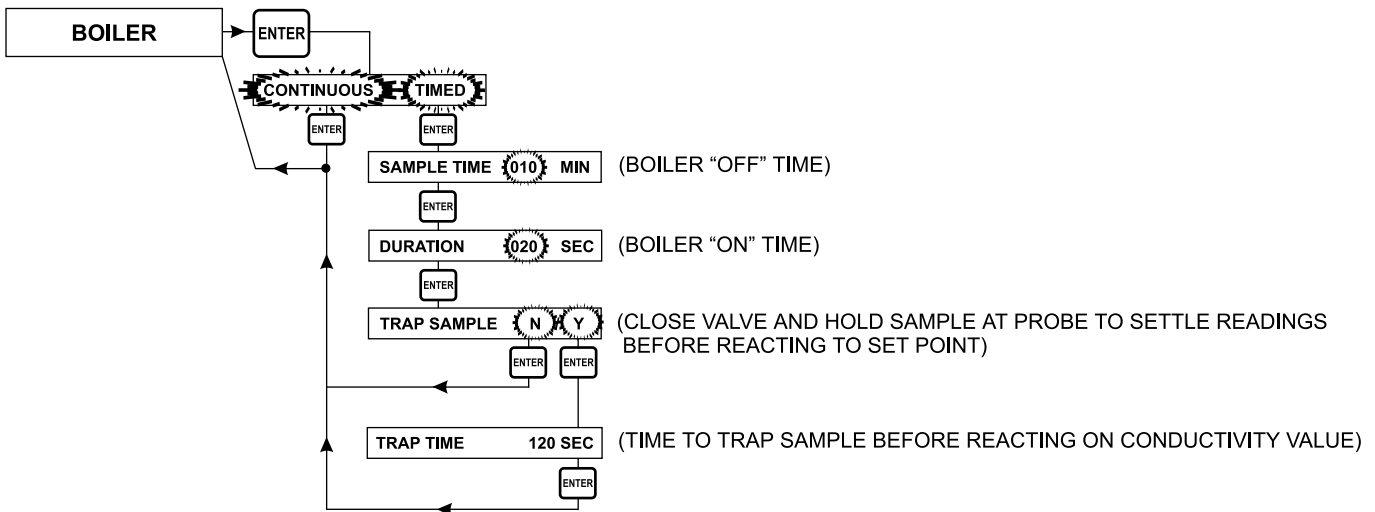


NOTE: THE BOILER MODE MUST BE SELECTED IN THE ADVANCED MENU (UNDER CONTROL).



DC4000 Series Conductivity Controller

Quick Programming Card