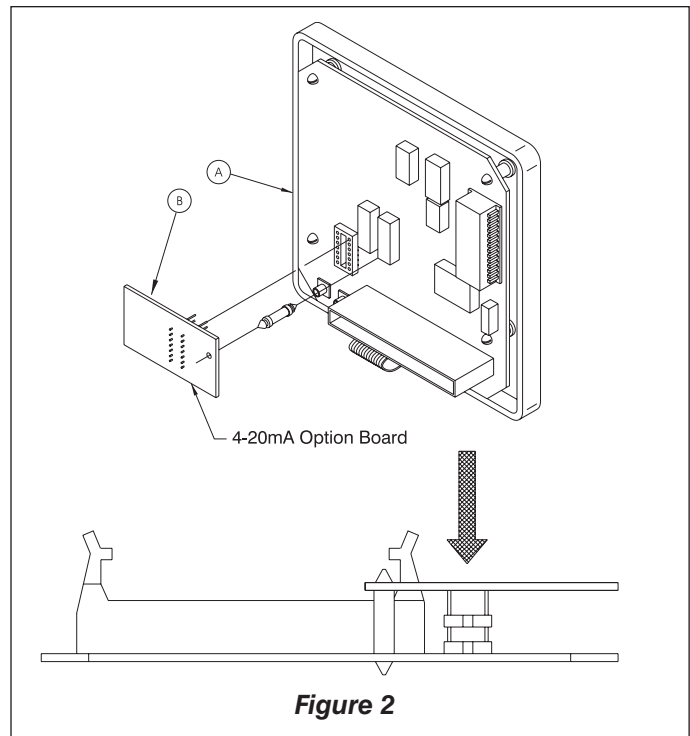




3. Insert the 4-20 mA option board (B) into the socket on the back of the display panel PC board (A). The socket is labeled U22. Ensure that the plastic spacer lines up with its socket on the display board. The 14 pin socket on the 4-20 mA option board should press fit into the mating 14 pin socket on the display board (see Figure 2).



4. Once the option board is in place, the DP/DR5000 controller will output an isolated 4-20 mA signal on terminals TB4 pin#11 and #12 proportional to the probe reading (pH or ORP) (see Figure 3).
5. The Advanced Menu must be changed to enable the 4-20 mA set points to be programmed. Consult the DP/DR5000 Instruction Manual for programming information.

