

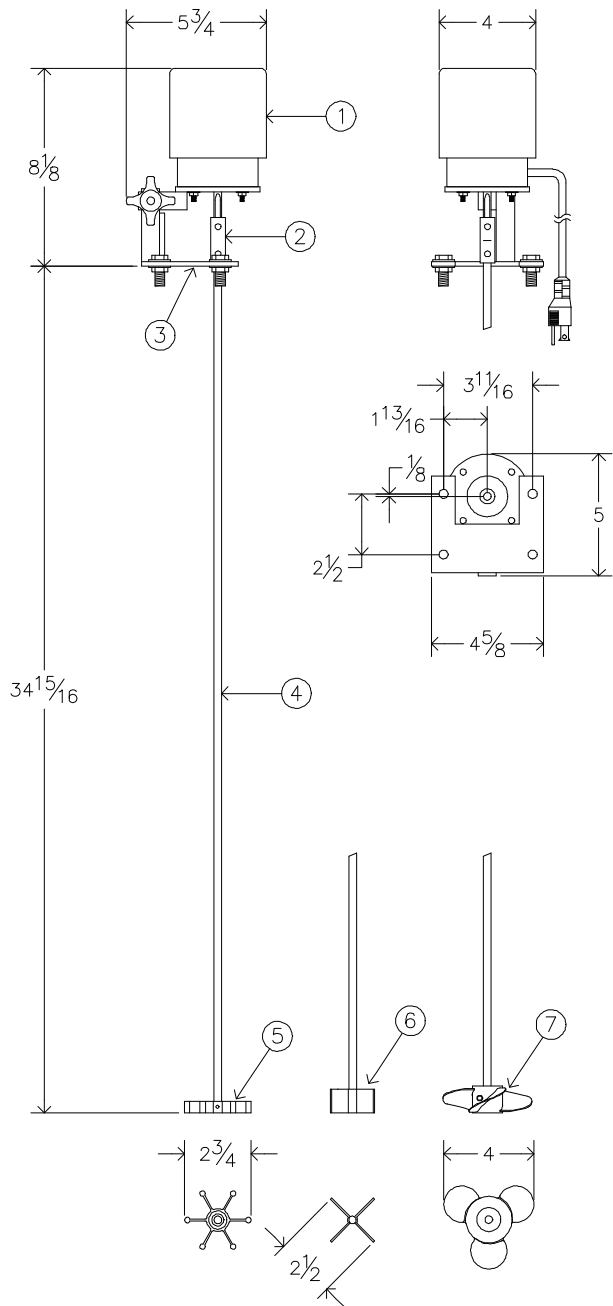
J.L. WINGERT CO.

P.O. Box 6207 • Garden Grove, CA 92846-6207 / 11800 Monarch Street • Garden Grove, CA 92841-2113
 Phone (714) 379-5519 • Fax (714) 379-5549 ■ Email: customerservice@jllwingert.com
 Northern California Region • Phone (510) 487-5310 ■ Southwest Region • Phone (602) 470-1015
 www.jllwingert.com

MANUFACTURING: Mixers, Bypass Feeders, Filter Feeders, Bromine Feeders, Sample Coolers, Sludge Traps, Separators, Separator Systems, Tank Stands,
 Tank Package Systems, Glycol Feed Systems, Coupon Racks, Control Stations, NEMA Enclosures, Custom Packaged Systems and Specialty Welding

Specification Sheet #012070 Rev. "A" (05/04)

MODEL LDB-0050-[A/H/PRP]



SPECIFICATIONS:

KEY	PART	DESCRIPTION
1	0405-E/WRD	MOTOR: 1/20 HP, TEFC factory rewired 115V, 8FT power cord.
2	0252	COUPLING: 5/16" x 5/16" bored brass coupling with stainless set screws.
3	0717	MOUNT: Fully adjustable steel bracket mount with plated hardware.
4	0314/316	SHAFT: 5/16" D x 36" L, 316 stainless steel shaft only prepped for one neoprene impeller or one propeller.
5	0262	[A] NEOPRENE IMPELLER: small neoprene impellers with brass/copper hub (qty 1)
6	0279/316*	[H] SS IMPELLER: 316 stainless steel fabricated to shaft
7	0268	[PRP] PROPELLER: 316 stainless steel propeller with stainless steel set screws (qty 1)

* NOTE: Shaft and [H] style stainless steel impellers are prefabricated at the factory (not sold individually)

MOTOR DATA:	LDB-0050-[]
Voltage	115
Phase / Hertz	1 / 60
Full Load Amps	1.5
Service Factor	1.0
Insulation Class	A

Note: All dimensions are +/- 1/8". All weights are approximate. All dimensions are subject to change without notice.