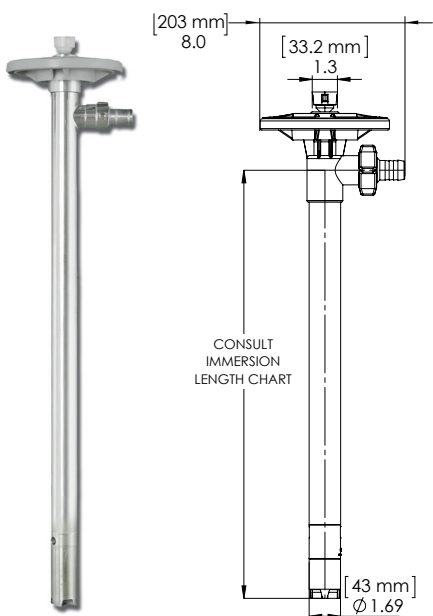


# Industrial Drum Pumps

## ALUMINUM SERIES



TUBE MODEL	ASSEMBLY	IMMERSION LENGTH	IMPELLER	SHIPPING WT lbs (kg)
SP-AL-27	Aluminum	27" (700 mm)	High Volume	6.0 (2,7)
SP-AL-39	Aluminum	39" (1000 mm)	High Volume	8.0 (3,6)
SP-AL-47	Aluminum	47" (1200 mm)	High Volume	9.0 (4,0)
SP-AL-60	Aluminum	60" (1500 mm)	High Volume	12.0 (5,4)
SP-AL-72	Aluminum	72" (1800 mm)	High Volume	14.0 (6,3)
SP-AL-HH-27	Aluminum	27" (700 mm)	High Pressure	6.0 (2,7)
SP-AL-HH-39	Aluminum	39" (1000 mm)	High Pressure	8.0 (3,6)
SP-AL-HH-47	Aluminum	47" (1200 mm)	High Pressure	9.0 (4,0)
SP-AL-HH-60	Aluminum	60" (1500 mm)	High Pressure	12.0 (5,4)
SP-AL-HH-72	Aluminum	72" (1800 mm)	High Pressure	14.0 (6,3)

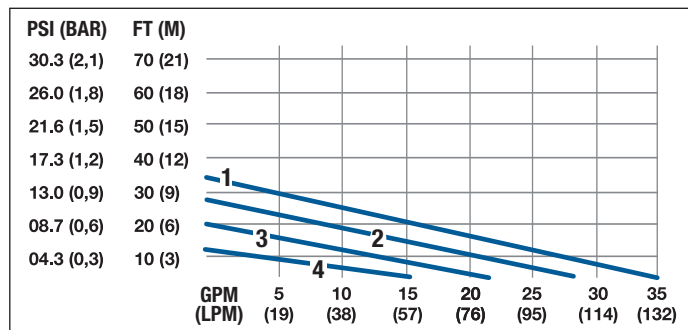
### Technical Specifications

**Pump Design:**..... Sealless / Centrifugal  
**Discharge:**..... 1" (25,40 mm) Hose Barb  
**Available Options:**... 3/4" (19 mm) Hose Barb, 1 1/4" BSP thread  
**Wetted Parts:** .....Aluminum, Carbon, PTFE, SS316  
**Motor Drives:** ..... SP-280P Series (ODP, IP44),  
 SP-ENC Series (TEFC, IP54), SP-A1,  
 SP-A2, SP-400 Series (EXP, AtEx)

**Maximum Viscosity:**  
 SP-280P & SP-ENC ..... 1500 cps (mPas)  
 SP-420EX & SP-A2 ..... 750 cps (mPas)  
 SP-A1 ..... 450 cps (mPas)  
 SP-410EX..... 200 cps (mPas)  
**Maximum Specific Gravity:** ..... 1.8\*  
**Maximum Temperature:** ..... 175° F (80° C)

### Flow Curves:

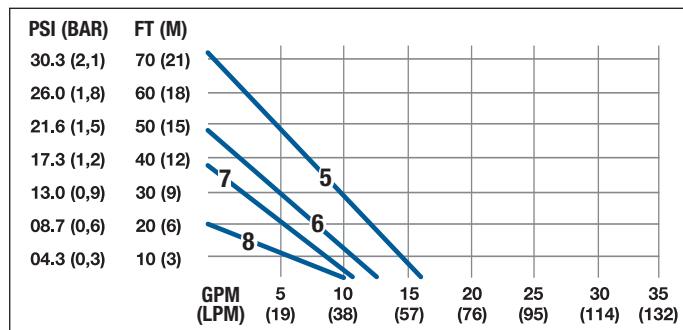
High Volume Pumps:



Flow Rate (Based On Water)

- 1 SP-280P, SP-ENC / High Volume Tube
- 2 SP-420EX, SP-A2 / High Volume Tube
- 3 SP-A1 / High Volume Tube
- 4 SP-410EX / High Volume Tube

High Pressure Pumps:



Flow Rate (Based On Water)

- 5 SP-280P, SP-ENC / High Pressure Tube
- 6 SP-420EX, SP-A2 / High Pressure Tube
- 7 SP-A1 / High Pressure Tube
- 8 SP-410EX / High Pressure Tube

**Warning:** When pumping flammable or combustible liquids pump tube must be used in conjunction with an explosion proof motor.  
**Note:** Maximum Specific Gravity is 1.8 when used in conjunction with 825 watt motor.

