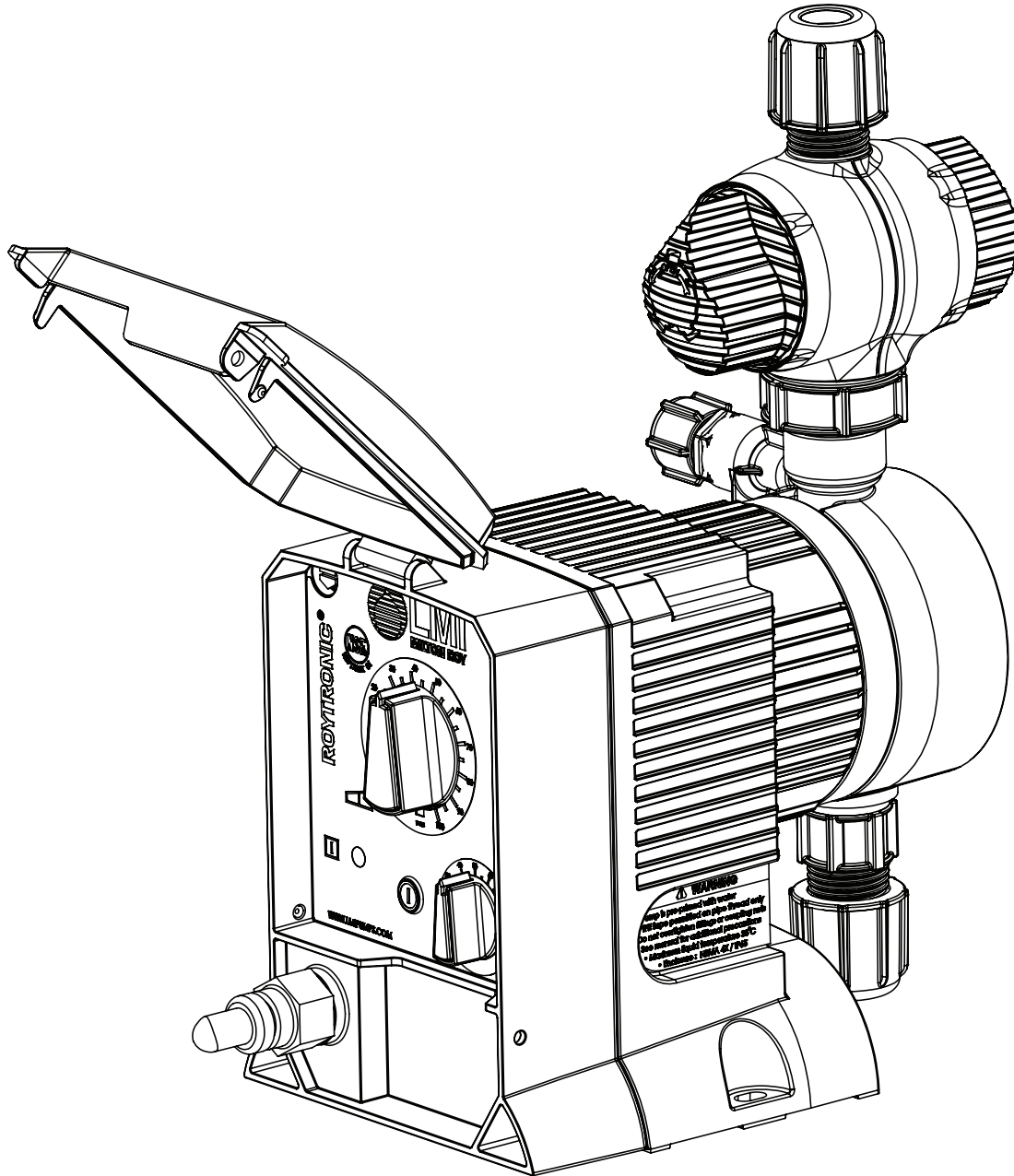


# Instruction Supplement

## ROYTRONIC® Series A Electronic Metering Pump



201 Ivyland Road  
Ivyland, PA 18974 USA  
TEL: (215) 293-0401  
FAX: (215) 293-0445  
<http://www.lmipumps.com>

ROYTRONIC is a registered trademark of Milton Roy Company.

2051.A 8/2011



## Series A Drive Assembly Parts List

Key No.	Description	Model	Part No.	Qty.
75	O-Ring	A	48751	1
80	Spring	AX1, AX4	48327	1
		AX5	48328	1
		AX6	48329	1
90	EPU Shim	A	48177	1
125	O-Ring	A	48750	1
130	Retaining Ring	A	48313	1
150	Screw	A	48249	2
155	Washer	A	48310	2
170	Power Cord Asm	AXX1	48231	1
		AXX2	48232	1
		AXX3	48233	1
		AXX5	48235	1
		AXX6	48236	1
		AXX7	48237	1
		AXX8	48238	1
195	Stroke Dial	AX6	48528	1
220	O-Ring	A1, A7, A8	48308	1
230	O-Ring	A	48166	1
240	Wire Harness	A	48460	1
250	Screw	A	41227	4
270	O-Ring	A	48309	1

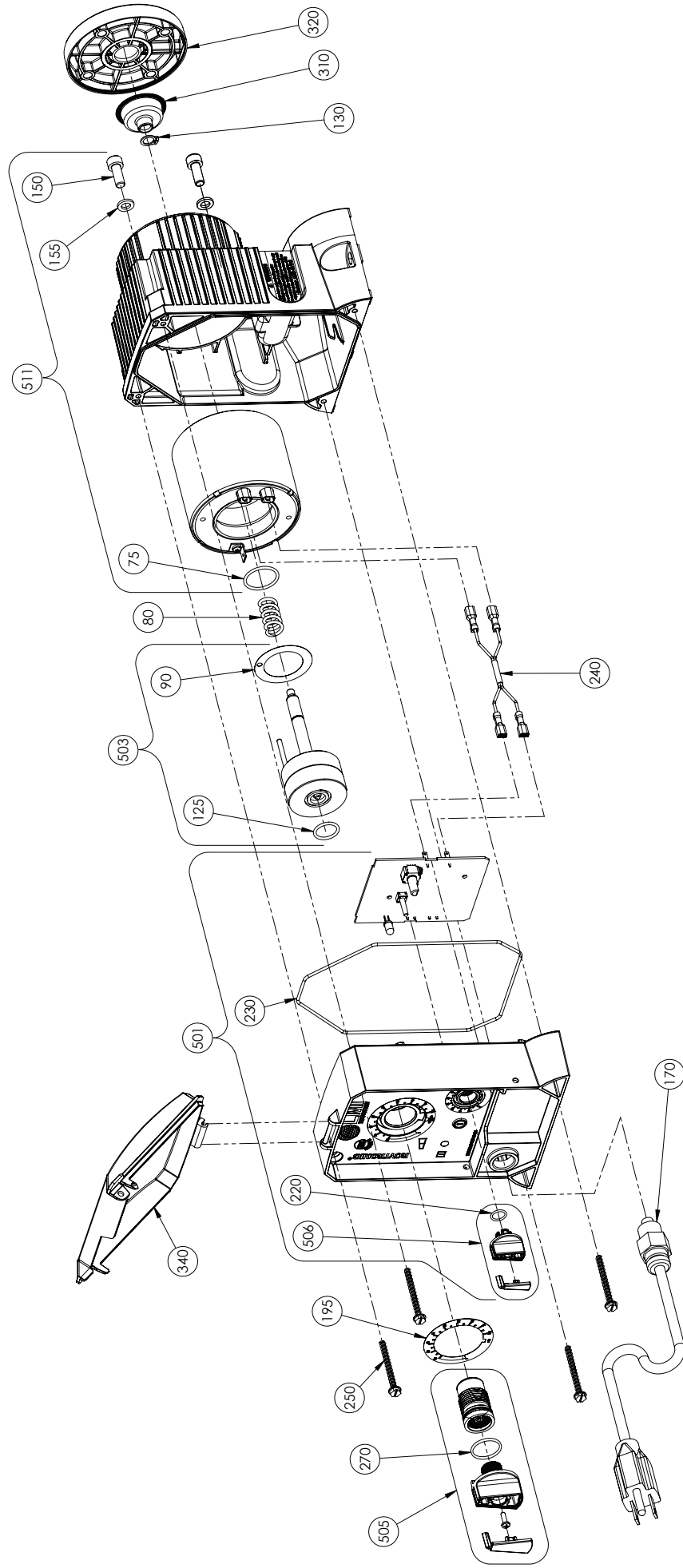
Key No.	Description	Model	Part No.	Qty.
310	Shaft Seal	A	48158	1
320	Adapter Disk	AX1, AX4	48167	1
		AX5	48168	1
		AX6	48169	1
340	Clear Cover	A	48165	1
501	Control Panel Asm	A04, A05, A06	48658	1
		A14, A15, A16	48659	1
		A34, A35, A36	48660	1
		A74, A75, A76	48661	1
		A84, A85, A86	48662	1
		A01	48687	1
		A11	48688	1
503	Plunger Asm	A31	48689	1
		A71	48690	1
		A81	48693	1
505	Stroke Knob Asm	AX1, AX4	48534	1
		AX5, AX6	48535	1
506	Speed Knob Asm	A	48656	1
511	Housing and Pole Piece Asm	A1, A7, A8	48657	1
		AXX1, AXX8	49031	1
		AXX2, AXX3, AXX5, AXX6, AXX7	49032	1

## EPU Resistance Chart

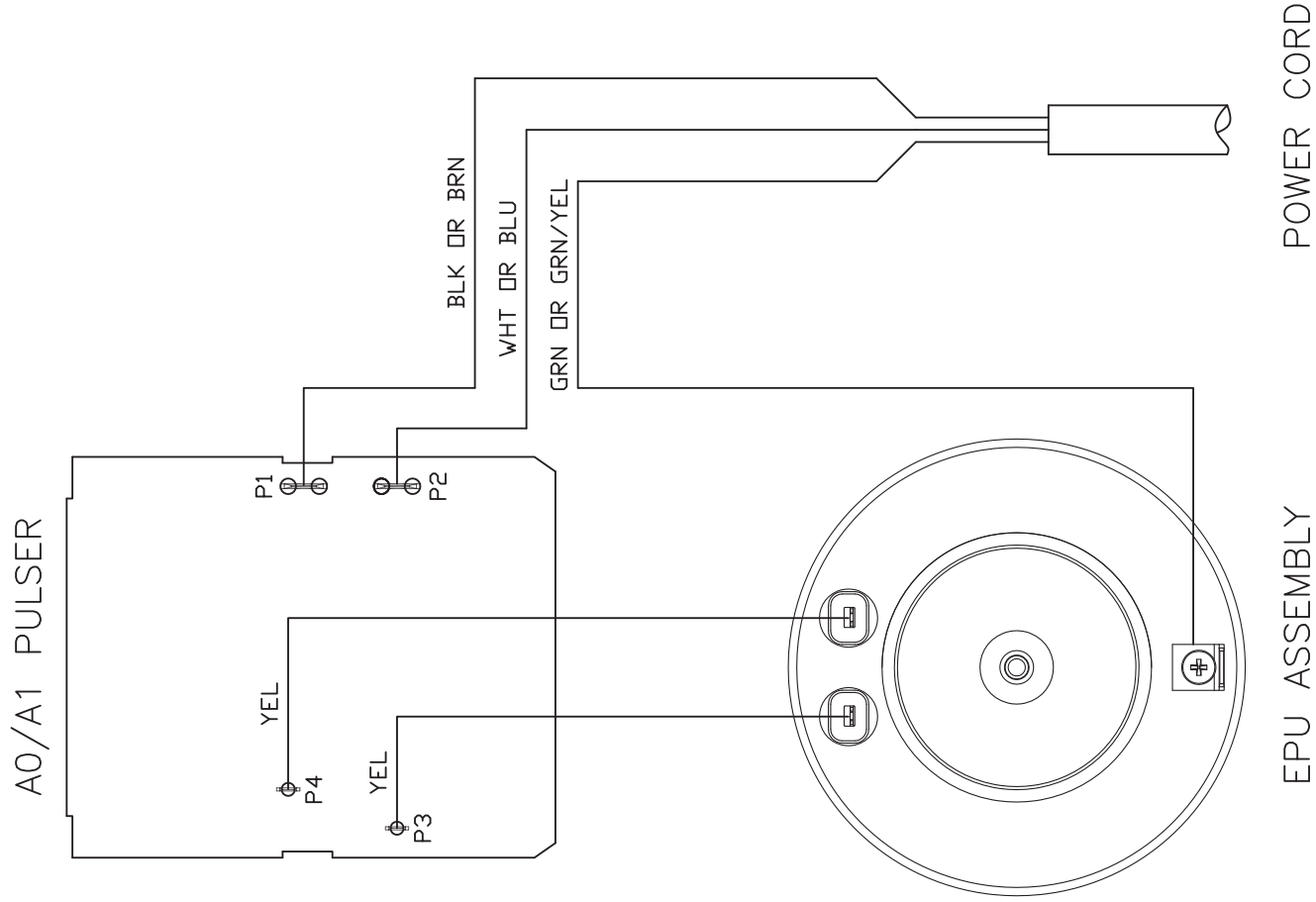
Model	EPU Resistance (Ohms) @ 20° C (68° F)*
AXX1, AXX8	122-140
AXX2, AXX3 AXX5, AXX6, AXX7	478-550

\*Let pump cool down for a minimum of 6 hours before checking the resistance, or else resistance measurements will be artificially high.

# Series A Drive Assembly Exploded View Diagram



### Series A0/A1 Wiring Diagram



### Series A3/A7/A8 Wiring Diagram

