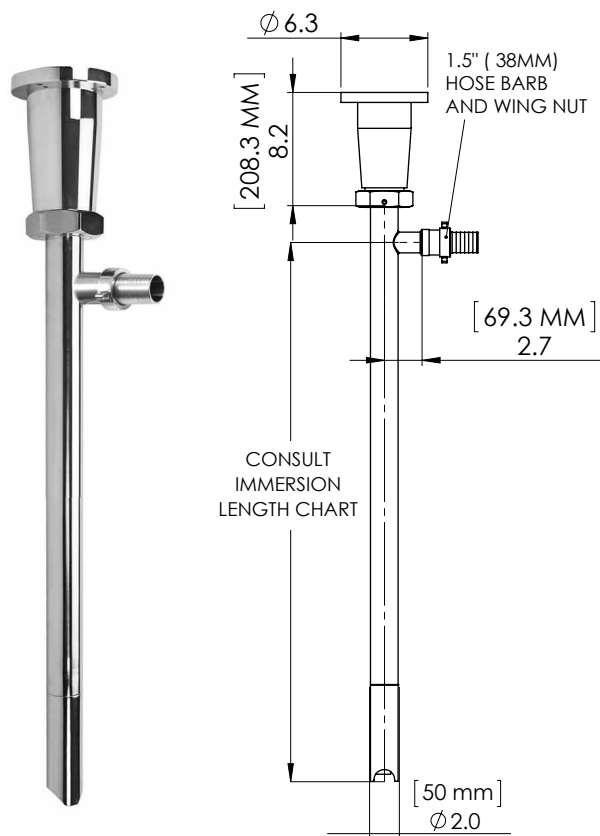


Industrial Progressive Cavity Drum Pumps

SP-700DD SERIES



TUBE MODEL	ASSEMBLY	IMMERSION LENGTH	STATOR MATERIAL	SHIPPING WT lbs (kg)
SP-700DD-751B-27	SS316	27" (700 mm)	Buna	19 (8,6)
SP-700DD-751P-27	SS316	27" (700 mm)	PTFE	19 (8,6)
SP-700DD-751V-27	SS316	27" (700 mm)	Viton®	19 (8,6)
SP-700DD-752B-27	SS316	32" (810 mm)	Buna	21 (9,5)
SP-700DD-752P-27	SS316	32" (810 mm)	PTFE	21 (9,5)
SP-700DD-752V-27	SS316	32" (810 mm)	Viton®	21 (9,5)
SP-700DD-1851B-27	SS316	34" (860 mm)	Buna	24 (10,8)
SP-700DD-1851P-27	SS316	34" (860 mm)	PTFE	24 (10,8)
SP-700DD-1851V-27	SS316	34" (860 mm)	Viton®	24 (10,8)
SP-700DD-751B-39	SS316	39" (1000 mm)	Buna	24 (10,8)
SP-700DD-751P-39	SS316	39" (1000 mm)	PTFE	24 (10,8)
SP-700DD-751V-39	SS316	39" (1000 mm)	Viton®	24 (10,8)
SP-700DD-752B-39	SS316	44" (1120 mm)	Buna	25 (11,3)
SP-700DD-752P-39	SS316	44" (1120 mm)	PTFE	25 (11,3)
SP-700DD-752V-39	SS316	44" (1120 mm)	Viton®	25 (11,3)
SP-700DD-1851B-39	SS316	39" (1000 mm)	Buna	23 (10,4)
SP-700DD-1851P-39	SS316	39" (1000 mm)	PTFE	23 (10,4)
SP-700DD-1851V-39	SS316	39" (1000 mm)	Viton®	23 (10,4)
SP-700DD-751B-47	SS316	47" (1200 mm)	Buna	25 (11,3)
SP-700DD-751P-47	SS316	47" (1200 mm)	PTFE	25 (11,3)
SP-700DD-751V-47	SS316	47" (1200 mm)	Viton®	25 (11,3)
SP-700DD-752B-47	SS316	52" (1320 mm)	Buna	26 (11,8)
SP-700DD-752P-47	SS316	52" (1320 mm)	PTFE	26 (11,8)
SP-700DD-752V-47	SS316	52" (1320 mm)	Viton®	26 (11,8)
SP-700DD-1851B-47	SS316	47" (1200 mm)	Buna	25 (11,3)
SP-700DD-1851P-47	SS316	47" (1200 mm)	PTFE	25 (11,3)
SP-700DD-1851V-47	SS316	47" (1200 mm)	Viton®	25 (11,3)

Technical Specifications

Design:..... Progressive Cavity / Positive Displacement

Maximum Viscosity:

751 & 752 Series 100,000 cps (mPas)

1851 Series 10,000 cps (mPas)

Discharge Port: 1.5" (38 mm) Hose Barb

Optional 1.25 (32mm) Hose Barb Exposed Threads G 1.50"

Stator Materials: PTFE, Viton® or Buna

Mechanical Seal: SiC/Viton®/SiC

Immersion Lengths: Carboys – 27" (700 mm)

Drums – 39" (1000 mm)

Tote Tanks – 47" (1200 mm)

Wetted Material:

Tube & Rotor Assembly: 316 Stainless Steel

Stator Material: PTFE, Viton®, or Buna

Motor Drives:..... TEFC & Air

Fittings:..... Threaded design enables operator to disassemble pump quickly for cleaning, maintenance and inspection

Mounting Flange:..... B14/C140-160

Maximum Flow Rate:

1851 Series 12 GPM (45 LPM) based on water

751 & 752 Series 7 GPM (26 LPM) based on water

Maximum Discharge Pressure:

751 & 1851 Series 87 psi (6 bar)

752 Series 174 psi (12 bar)

Maximum Temperature:

PTFE & Viton® Stator 300° F (148° C)

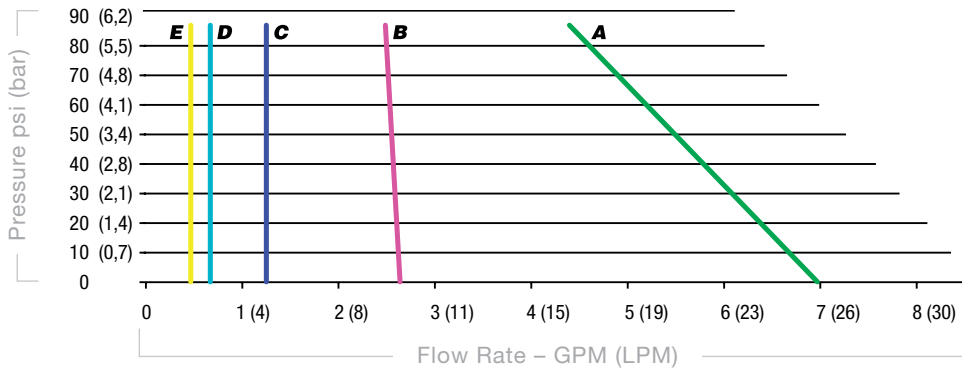
Buna Stator 185° F (85° C)

Maximum Solid Size:..... 0.25" (6 mm)

Industrial Progressive Cavity Drum Pumps

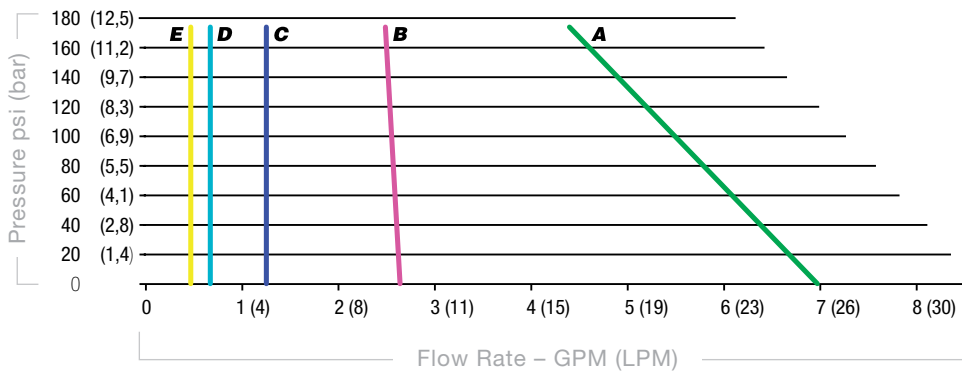
SP-7000D SERIES Performance Curves

751 Series Pumps



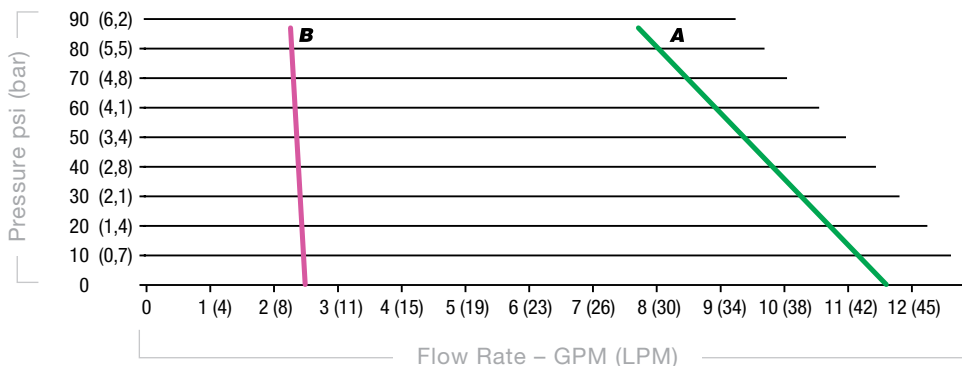
Viscosity cps (mPas)	Electric Motor	Air Motor
A 1	SP-502	SP-A4
B 10,000	SP-502	SP-A4
C 30,000	SP-512	SP-A6
D 60,000	SP-512	SP-A6
E 100,000	SP-522	SP-A8

752 Series Pumps



Viscosity cps (mPas)	Electric Motor	Air Motor
A 1	SP-502	SP-A4
B 10,000	SP-502	SP-A4
C 30,000	SP-512	SP-A6
D 60,000	SP-512	SP-A6
E 100,000	SP-522	SP-A8

1851 Series Pumps



Viscosity cps (mPas)	Electric Motor	Air Motor
A 1	SP-502	SP-A4
B 10,000	SP-502	SP-A4

STANDARD
Pumps, Inc.

www.standardpump.com

Toll Free: 1-866-558-8611

Tel 770-307-1003