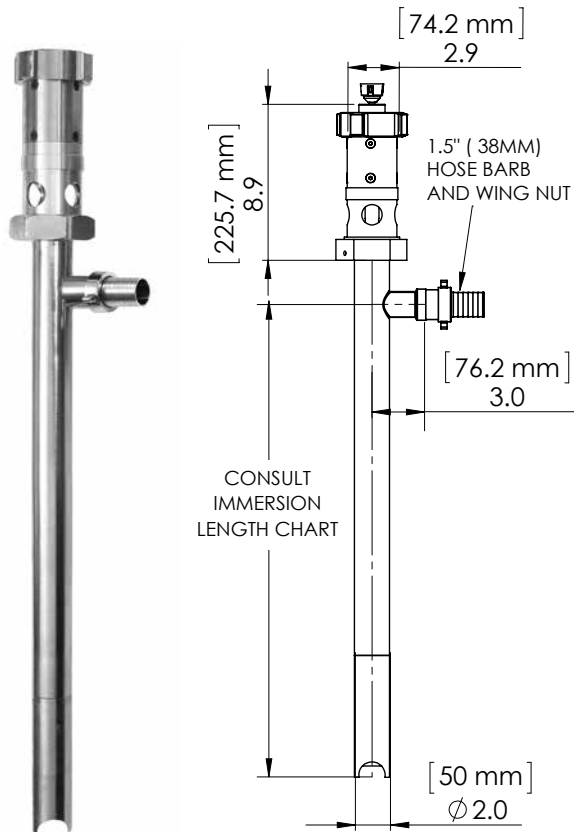


Industrial Progressive Cavity Drum Pumps

SP-700SR SERIES



TUBE MODEL	ASSEMBLY	IMMERSION LENGTH	STATOR MATERIAL	SHIPPING WT lbs (kg)
SP-700SR-751B-27	SS316	27" (700 mm)	Buna	17.0 (7,7)
SP-700SR-751P-27	SS316	27" (700 mm)	PTFE	17.0 (7,7)
SP-700SR-751V-27	SS316	27" (700 mm)	Viton®	17.0 (7,7)
SP-700SR-752B-27	SS316	32" (810 mm)	Buna	19.0 (8,6)
SP-700SR-752P-27	SS316	32" (810 mm)	PTFE	19.0 (8,6)
SP-700SR-752V-27	SS316	32" (810 mm)	Viton®	19.0 (8,6)
SP-700SR-1851B-27	SS316	34" (860 mm)	Buna	22.0 (10,0)
SP-700SR-1851P-27	SS316	34" (860 mm)	PTFE	22.0 (10,0)
SP-700SR-1851V-27	SS316	34" (860 mm)	Viton®	22.0 (10,0)
SP-700SR-751B-39	SS316	39" (1000 mm)	Buna	20.0 (9,0)
SP-700SR-751P-39	SS316	39" (1000 mm)	PTFE	20.0 (9,0)
SP-700SR-751V-39	SS316	39" (1000 mm)	Viton®	20.0 (9,0)
SP-700SR-752B-39	SS316	44" (1120 mm)	Buna	22.0 (10,0)
SP-700SR-752P-39	SS316	44" (1120 mm)	PTFE	22.0 (10,0)
SP-700SR-752V-39	SS316	44" (1120 mm)	Viton®	22.0 (10,0)
SP-700SR-1851B-39	SS316	39" (1000 mm)	Buna	23.0 (10,5)
SP-700SR-1851P-39	SS316	39" (1000 mm)	PTFE	23.0 (10,5)
SP-700SR-1851V-39	SS316	39" (1000 mm)	Viton®	23.0 (10,5)
SP-700SR-751B-47	SS316	47" (1200 mm)	Buna	23.0 (10,5)
SP-700SR-751P-47	SS316	47" (1200 mm)	PTFE	23.0 (10,5)
SP-700SR-751V-47	SS316	47" (1200 mm)	Viton®	23.0 (10,5)
SP-700SR-752B-47	SS316	52" (1320 mm)	Buna	24.0 (11,0)
SP-700SR-752P-47	SS316	52" (1320 mm)	PTFE	24.0 (11,0)
SP-700SR-752V-47	SS316	52" (1320 mm)	Viton®	24.0 (11,0)
SP-700SR-1851B-47	SS316	47" (1200 mm)	Buna	23.0 (10,5)
SP-700SR-1851P-47	SS316	47" (1200 mm)	PTFE	23.0 (10,5)
SP-700SR-1851V-47	SS316	47" (1200 mm)	Viton®	23.0 (10,5)

Technical Specifications

Design:.....Progressive Cavity / Positive Displacement

Maximum Viscosity:

751 & 752 Series 25,000 cps (mPas)

1851 Series..... 10,000 cps (mPas)

Discharge Port:..... 1.5" (38 mm) Hose Barb

Optional 1.25 (32mm) Hose Barb Exposed Threads G 1.50"

Stator Materials: PTFE, Viton® or Buna

Mechanical Seal: SiC/Viton®/SiC

Immersion Lengths: Carboys – 27" (700 mm)

Drums – 39" (1000 mm)

Tote Tanks – 47" (1200 mm)

Wetted Material:

Tube & Rotor Assembly:316 Stainless Steel

Stator Material:..... PTFE, Viton®, or Buna

Motor Drives:..... TEFC & Explosion Proof

Fittings:..... Threaded design enables operator to disassemble pump quickly for cleaning, maintenance and inspection

Maximum Flow Rate:

1851 Series..... 12 GPM (45 LPM) based on water

751 & 752 Series 7 GPM (26 LPM) based on water

Maximum Discharge Pressure:

751 & 1851 Series 87 psi (6 bar)

752 Series..... 174 psi (12 bar)

Maximum Temperature:

PTFE & Viton® Stator 300° F (148° C)

Buna Stator 185° F (85° C)

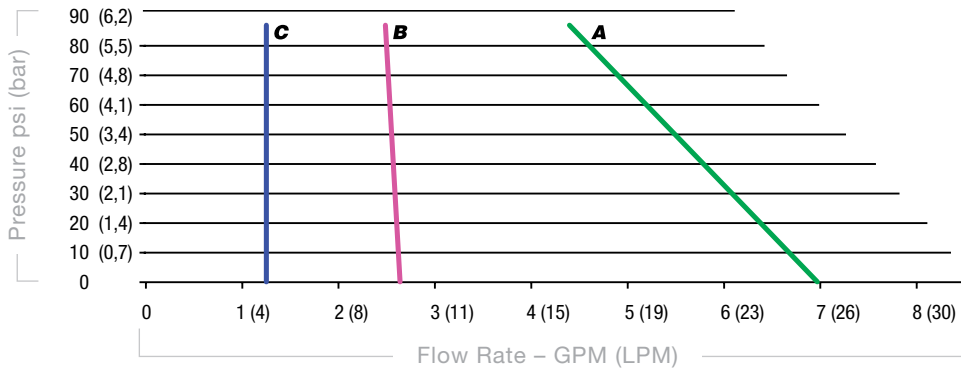
Maximum Solid Size:.....0.25" (6 mm)

Industrial Progressive Cavity Drum Pumps

SP-700SR SERIES

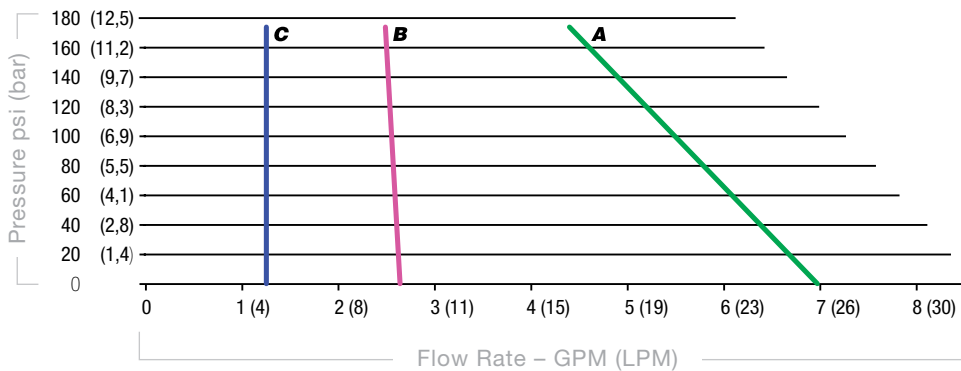
Performance Curves

751 Series Pumps



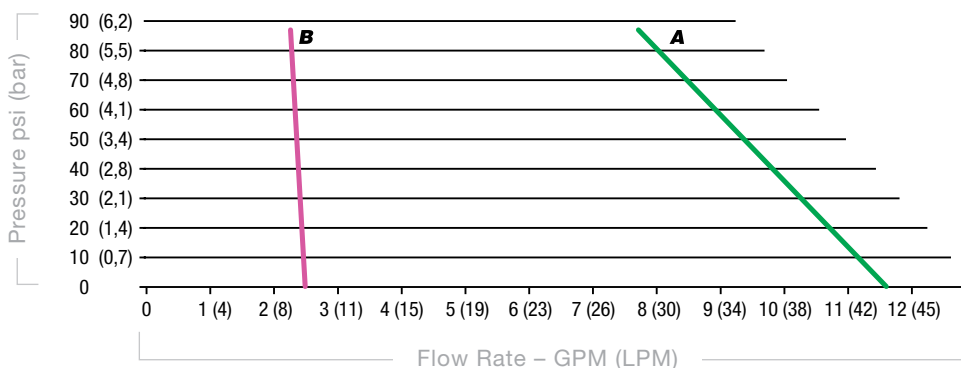
Viscosity cps (mPas)	Electric Motor
A ■ 1	SP-ENC Series, SP-400 Series
B ■ 10,000	SP-ENC Series, SP-400 Series
C ■ 25,000	SP-ENC Series, SP-400 Series

752 Series Pumps



Viscosity cps (mPas)	Electric Motor
A ■ 1	SP-ENC Series, SP-400 Series
B ■ 10,000	SP-ENC Series, SP-400 Series
C ■ 25,000	SP-ENC Series, SP-400 Series

1851 Series Pumps



Viscosity cps (mPas)	Electric Motor
A ■ 1	SP-ENC Series, SP-400 Series
B ■ 10,000	SP-ENC Series, SP-400 Series

STANDARD
Pumps, Inc.

www.standardpump.com

Toll Free: 1-866-558-8611

Tel 770-307-1003