

FCL502, FCL505 and FCL510 Free Chlorine Sensors

FCL502, FCL505 & FCL510 Sensors



FC72 Flow Cell



Optional FM001 Flow Meter



Amperometric Sensor Technology

Real Time Continuous Measurement

Ranges: 0-2, 0-5 or 0-10ppm

Built-In Temperature Compensation

Large Electrolyte Reservoir

Replaceable Membrane and Electrolyte

The FCL series (free chlorine sensors) feature amperometric measurement technology. Designed for disinfection applications in water treatment, for pools, etc., these sensors are available in three ranges for detecting ppm level of free chlorine. Choose the FCL502 for 0-2ppm, FCL505 for 0-5ppm and FCL510 for 0-10ppm of free chlorine.

Typical applications include:

- Industrial wastewater
- Cooling water
- Bottle rinsing
- Irrigation water in agriculture

Sensors output a 4-20mA signal scaled to 0-2, 0-5 or 0-10ppm. Membrane cap and fill solution are easily replaceable to maximize sensor life.

Sensors can be used in new installations with Sensorex flow cell or installed as replacement for other 4-20mA output free chlorine sensors. (Consult Sensorex for compatibility).

An optional flow meter (FM001) is available to help provide consistent flow for added system stability.

Specifications

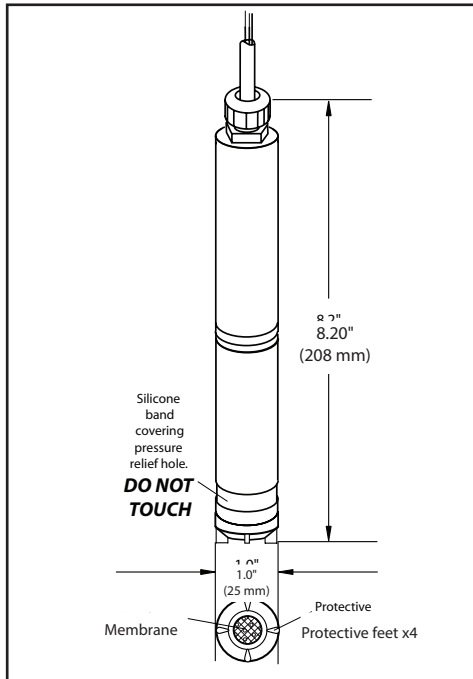
Measuring Range	0-2, 0-5 or 0-10 ppm free chlorine
pH Range	5.5 - 8.5
Body Material	PVC
Membrane Cap Material	PVC housing, Proprietary Membrane
Temperature Range	0 - 45 Degrees C
Maximum Pressure	14.7 psig (1 Bar)
Temp Comp	Integrated
Cable Length	10 feet 2 conductors, tinned leads
Process Connection	flow cell 1/4 inch FNPT threads
Output	4-20mA
Flow Range	Min 0.2 gpm (45 l/hr), Max 0.6 gpm (135 l/hr)
Supply Voltage	12-24V DC, 250mA minimum
Cross Sensitivity	Chlorine dioxide, Ozone, bromine, iodine

Parts covered by this product data sheet include:

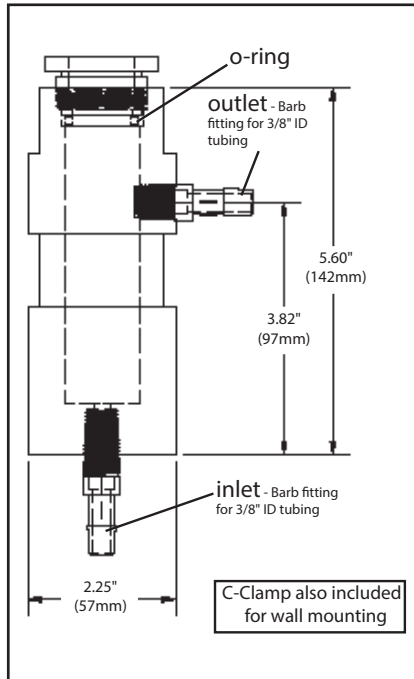
FCL502, FCL505, FCL510, FCLA-5015 thru FCLA-5018 FC72, FM001

FCL502, FCL505 and FCL510 Free Chlorine Sensors

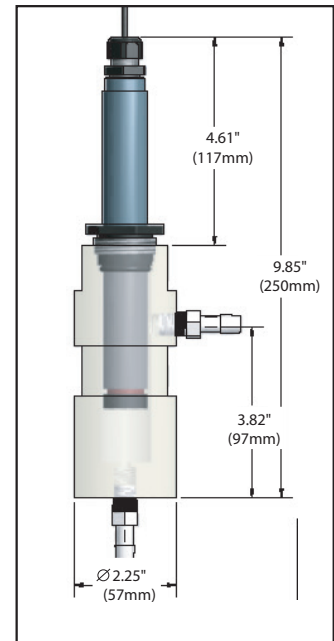
SENSOR DIMENSIONS



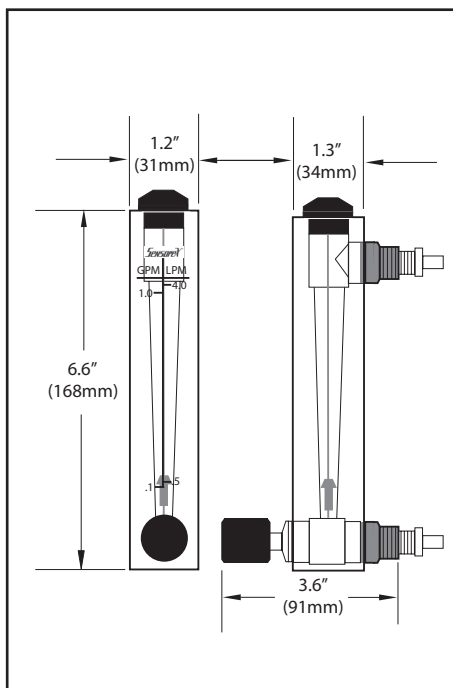
FC72 FLOW CELL DIMENSIONS



SENSOR AND FLOW CELL INSTALLATION DIMENSIONS



FLOW METER FM001 DIMENSIONS



Ordering Information

Sensors

FCL502	0-2 ppm Free chlorine 4-20mA sensor, 2 replacement cap & band, 2 each 30mL refill, 3 pieces cathode polishing squares.
FCLD505	0-5 ppm Free chlorine 4-20mA sensor, 2 replacement cap & band, 2 each 30mL refill, 3 pieces cathode polishing squares.
FCLD510	0-10 ppm Free chlorine 4-20mA sensor, 2 replacement cap & band, 2 each 30mL refill, 3 pieces cathode polishing squares.

Accessories

FC72	Flow Cell, 1/4" FNPT inlet and outlet, includes 2 each 1/4" NPT barbed tube fittings for 3/8" ID tubing.
FCLA-5015	FCL fill solution, 30mL, 2 each
FCLA-5016	FCL 5 Series sensor replacement membrane cap, 2 each, pressure relief band
FCLA-5017	3 each cathode polishing squares
FCLA-5018	Maintenance kit for FCL5 series sensors includes: 1 replacement cap, 2 each 30mL refill, 3 each cathode polishing squares & 1 each pressure relief band
FM001	Flow meter, 0.1-1.0 gpm (0.5-4.0 Lpm) range, 1/4" FNPT & 1/2" MNPT threads plus (2x) 3/8" tube fittings