

# A-100NV

**Variable Speed**

**Digital Control**

**4-20mA, 0-10VDC  
& Pulse Inputs**



## Features:

- Peristaltic pump design does not have valves that can clog requiring maintenance.
- Self priming - even against maximum line pressure. By-pass valves are not required. Cannot vapor lock or lose prime.
- Outputs to 5.17 GPH (19.56 LPH).
- Output pressures to 100 PSI (6.9 bar).
- Output volume is not effected by changes in back pressure.
  - Patented pump tube design installs easily and stays centered on the rollers without manual adjustment.
  - Two pump tubes supplied with each pump. No extra tubing required.
  - Accepts 4-20mA, 0-10Vdc, and Pulse inputs for manual or external speed control.
- Operator friendly digital touch pad.
  - Easy to read LCD display
  - Service and Alarm indicator icons.
  - Display motor speed or input signal values.
  - Prime mode for easy priming without changing programming.
- Built-in Tube Failure Detection system (TFD). Senses chemical in the pump head, shuts off the pump and activates a 1 amp alarm relay (dry contact closure).
- Compatible with Blue-White's output flow verification sensor system.
- Durable housing of chemical resistant Valox (PBT) thermoplastic.

## Specifications:

Max. working pressure: .....100 psig (6.9 bar)  
Max. fluid temperature: .....130° F (54° C)  
Max. ambient temperature: ..14° to 110° F / -10° to 43° C  
Output adjustment range: ....10-100% in 1% increments (10:1 turndown)  
Duty cycle:.....Continuous  
Maximum viscosity: .....5,000 Centipoise  
Maximum suction lift: .....30 ft. Water 0 psig  
Maximum Solids: .....50% by volume  
Enclosure: .....NEMA 3R, (IP23)

Voltage (amp draw): .....115VAC/60Hz, 1ph (.350 amp max)  
230VAC/60Hz, 1ph (.173 amp max)  
220VAC/50Hz, 1ph (.175 amp max)  
240VAC/50Hz, 1ph (.193 amp max)  
Power Cord Plug Type: .....115V60Hz = NEMA 5/15 (USA)  
230V60Hz = NEMA 6/15 (USA)  
220V50Hz = CEE 7/VI (EUROPE)  
240V50Hz = CEE 7/VI (EUROPE)  
Approximate shipping wt: ...12 lb. (5.4 kg)

## Materials of Construction:

### Wetted components:

Pump Tube Assembly:.....Norprene®, Norprene Chemical®, Tygothane® or FKM tubing with PVDF connection fittings  
Suction Tubing:.....Clear PVC  
Suction Strainer: .....Natural Polypropylene  
Discharge Tubing:.....Natural Polyethylene (LLDPE)  
Injection/Check valve:  
Body & insert: .....Polypropylene (optional PVDF)  
Check Ball: .....Ceramic  
Spring: .....Hastelloy C-276  
Ball Seat O-ring:.....TFE/P (optional EP)  
Static Seal O-ring: .....FKM (optional EP)

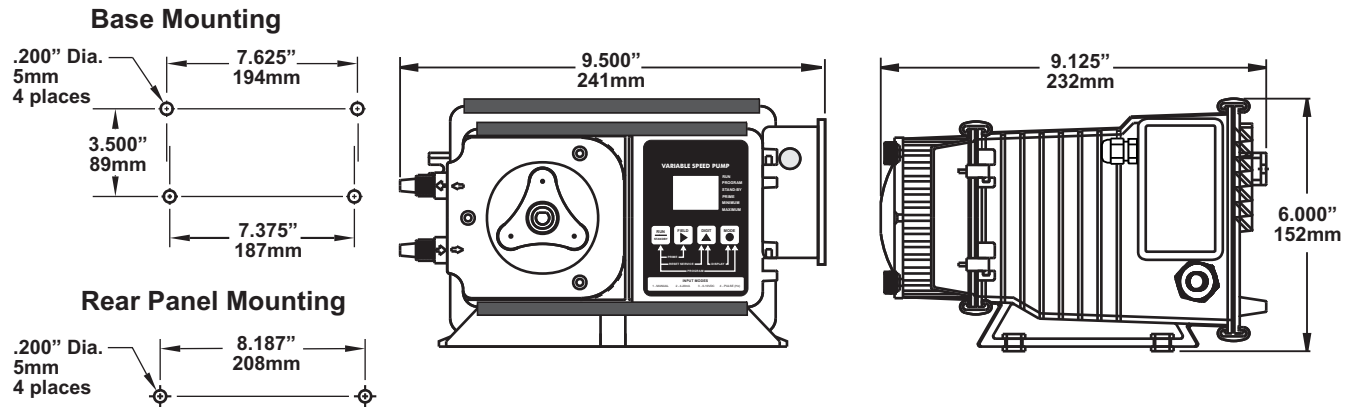
### Non-Wetted components:

Pump Head & Enclosure: .....Valox® (PBT) thermoplastic  
Pump Head Cover:.....Clear PVC  
Cover Screws: .....300 Stainless, Polypropylene cap  
Roller Assembly:  
Rotor: .....Valox® (PBT)  
Rollers: .....Nylon  
Roller Bearings: .....Bronze  
Motor Shaft:.....Nickel plated steel  
TFD System Sensor pins: .....Hastelloy C-276  
Power Cord: .....3 conductor, SJTW-A Water-resistant

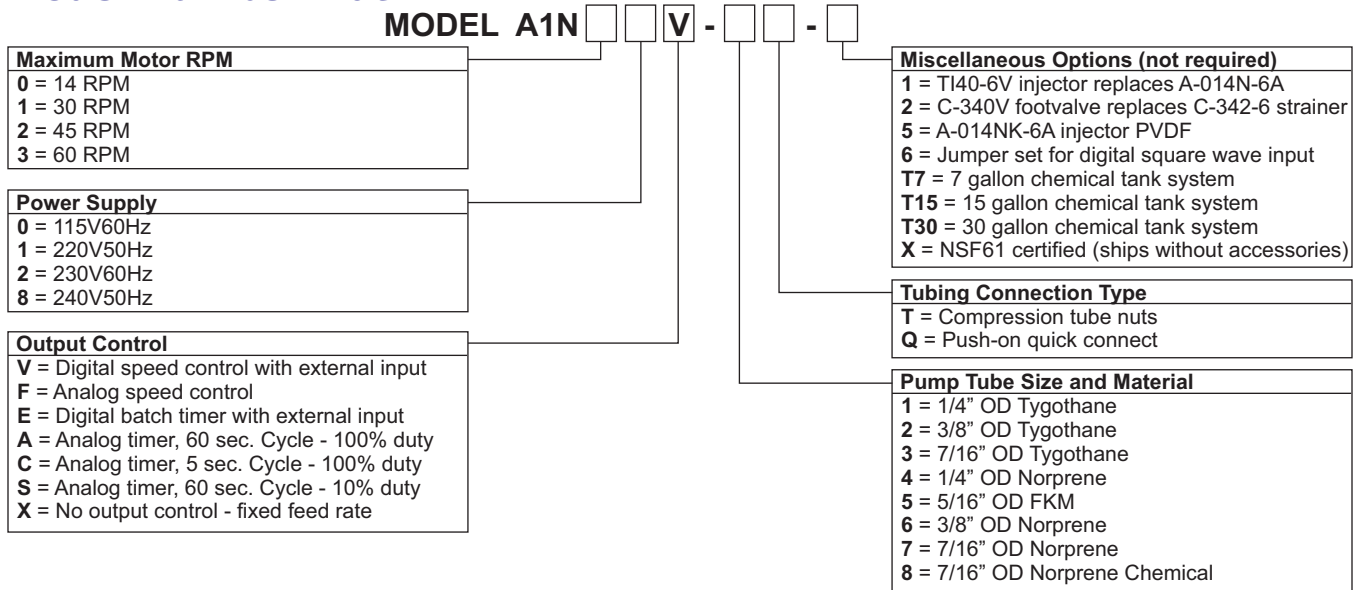
# Blue-White Industries, Ltd.

## FLEXFLO® Peristaltic Metering Pumps

### Dimensions:



### Model Number Matrix:



### Maximum Flow rate and pressure capacities:

Tube no.	Tubing Material	14 RPM MODELS					30 RPM MODELS					45 RPM MODELS					60 RPM MODELS				
		ml/m	oz/m	lph	gph	PSI(bar)	ml/m	oz/m	lph	gph	PSI(bar)	ml/m	oz/m	lph	gph	PSI(bar)	ml/m	oz/m	lph	gph	PSI(bar)
1	Tygothane	15	0.51	0.90	0.24	65(4.5)	35	1.18	2.10	0.55	65(4.5)	54	1.83	3.24	0.86	65(4.5)	67	2.26	4.02	1.06	65(4.5)
2	Tygothane	32	1.08	1.92	0.51	65(4.5)	75	2.54	4.50	1.19	65(4.5)	115	3.89	6.90	1.82	65(4.5)	140	4.73	8.40	2.22	65(4.5)
3	Tygothane	73	2.47	4.37	1.16	50(3.5)	173	5.85	10.38	2.74	50(3.5)	261	8.82	15.66	4.14	50(3.5)	326	11.01	19.56	5.17	50(3.5)
4	Norprene	6	0.20	0.36	0.10	100(6.9)	13	0.44	0.78	0.21	100(6.9)	21	0.71	1.26	0.33	100(6.9)	25	0.85	1.50	0.40	75(5.2)
5	FKM	11	0.37	0.66	0.17	25(1.7)	26	0.88	1.56	0.41	25(1.7)	39	1.31	2.34	0.62	25(1.7)	48	1.62	2.88	0.76	25(1.7)
6	Norprene	18	0.61	1.08	0.29	100(6.9)	42	1.42	2.52	0.67	100(6.9)	63	2.13	3.78	1.00	100(6.9)	79	2.67	4.74	1.25	75(5.2)
7	Norprene	57	1.92	3.42	0.90	50(3.5)	138	4.66	8.28	2.19	50(3.5)	200	6.76	12.00	3.17	50(3.5)	250	8.45	15.00	3.96	50(3.5)
8	Nor Chem	40	1.35	2.40	0.63	50(3.5)	84	2.80	5.04	1.31	50(3.5)	140	4.73	8.40	2.22	50(3.5)	180	6.10	10.80	2.85	50(3.5)

Gallons shown are U.S. Gallons

### Replacement Pump Tubes:

Pump Model Number Suffix	Pump Tube Part Number	Pump Tube Material	Nominal Pump Tube OD
-1T	A-002N-1T	Tygothane	1/4" (6,4mm)
-2T	A-002N-2T	Tygothane	3/8" (9,5mm)
-3T	A-002N-3T	Tygothane	7/16" (11,1mm)
-4T	A-002N-4T	Norprene	1/4" (6,4mm)
-5T	A-002N-5T	Viton	5/16" (7,9mm)
-6T	A-002N-6T	Norprene	3/8" (9,5mm)
-7T	A-002N-7T	Norprene	7/16" (11,1mm)
-8T	A-002N-8T	Norprene Chemical	7/16" (11,1mm)
-1Q	A-002N-1Q	Tygothane	1/4" (6,4mm)
-2Q	A-002N-2Q	Tygothane	3/8" (9,5mm)
-4Q	A-002N-4Q	Norprene	1/4" (6,4mm)
-6Q	A-002N-6Q	Norprene	3/8" (9,5mm)