

## 3/8" TC-X102 Series

The TC-X 102 pumps are compact pumps available only in Glass Fiber Reinforced Polypropylene (PPG) and offer a chemically resistant air section.

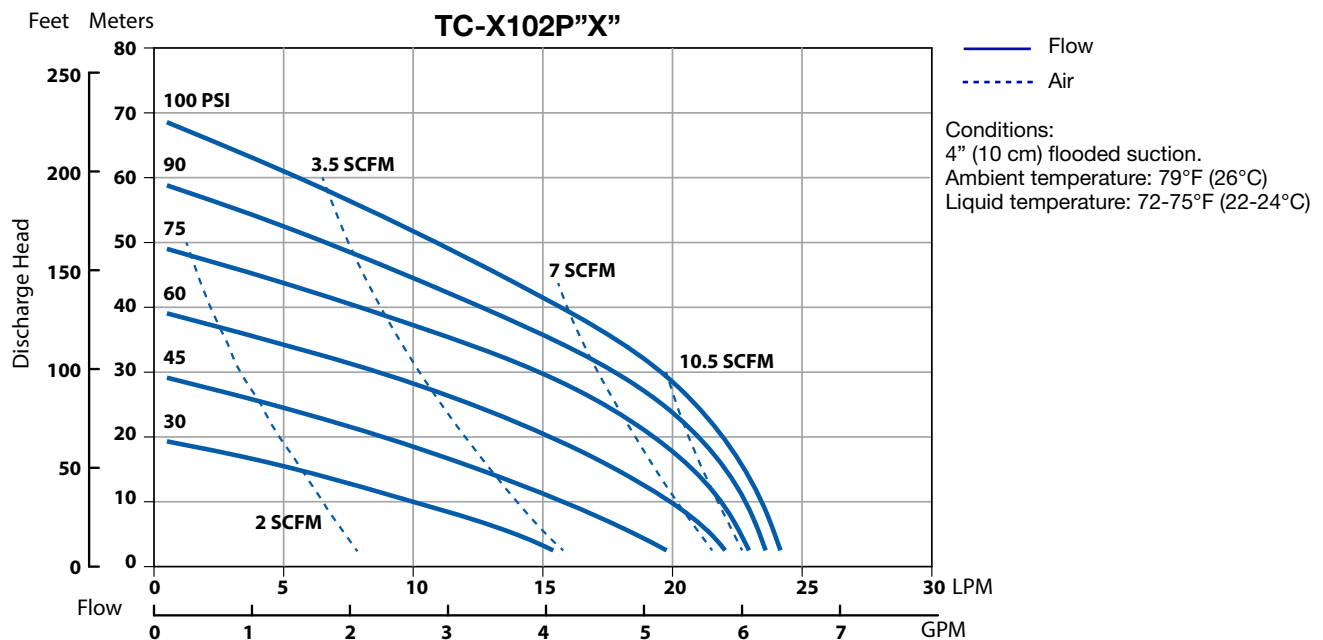
Maximum Flow Rate: 6.3 GPM (24 L/Min)  
 Maximum Discharge Head: 230 ft (70 m)  
 Available in: Glass Fiber Reinforced Polypropylene (PPG)  
 Spool valve type: C-Spring Valve  
 Certification: CE



SPECIFICATIONS	
Material Code*	P "X"
Max Flow Rate	6.3 GPM (24 LPM)
Max Air Pressure	100 PSI (0.7 MPa)
Max Air Consumption	14.1 scfm (400 L/min)
Supply Air Pressure Range <sup>1</sup>	30-100 PSI (0.2-0.7 MPa)
Liquid Discharge Volume per cycle	2.4 oz (70 mL)
Connection Suction x Discharge	NPT 3/8"
Weight	7.7 lbs (3.5 kg)

\* See Chart and Model Number nomenclature on back page for materials  
 Note 1: A supply air pressure of 30 PSI (0.2 MPa) or more is required to operate the pump. If the supply pressure is less than 30 PSI (0.2 MPa), the pump may not operate properly.  
 Liquid Temperature Range: 32-140°F (0-60°C)  
 Ambient Temperature Range: 32-158°F (0-70°C)  
 Slurry Recommendation: 0.04" (1mm) or less  
 Limitation of Viscosity: ~500 cps (0.5 Pa·s)

### PERFORMANCE CURVES

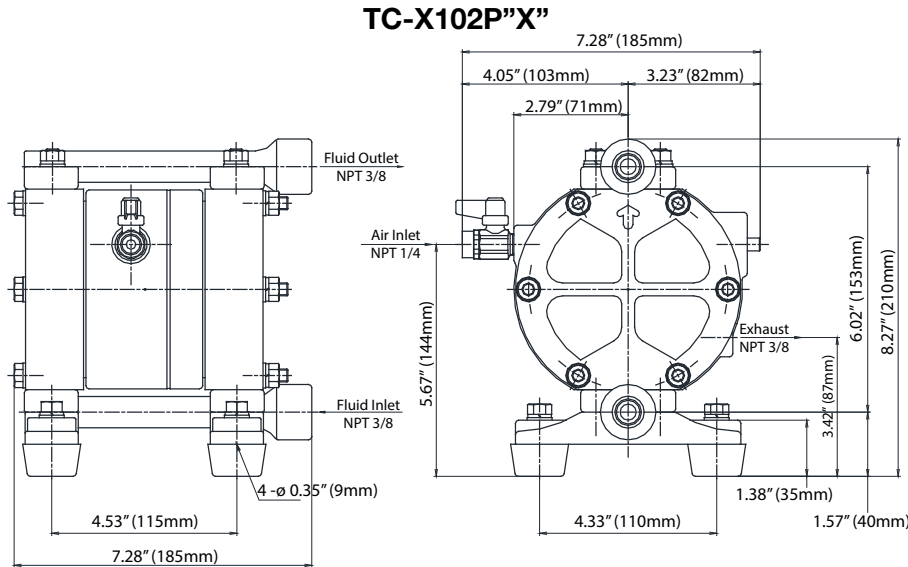


## 3/8" TC-X102 Series

WET END MATERIALS					
Model	TC-X102				
Part Name	PC	PN	PT	PH	PS
Pump wetted parts	PPG				
Diaphragm	Neoprene™	BUNA	PTFE	Hytrel™	Santoprene®
Ball Valve	Neoprene™	BUNA	PTFE	BUNA	EPDM
Valve Seat/Stopper	PPG				
Outer Diaphragm Plate	PPG (SS303*)				
Center Body	Ryton®				

PPG	Glass Fiber Reinforced Polypropylene	Hytrel™	Thermoplastic Polyester Elastomer (TPEE)
PTFE	Polytetrafluoroethylene (Teflon®)	Santoprene®	Thermoplastic PolyOlefin (TPO)
Neoprene™	Chloroprene Rubber (CR)	EPDM	Ethylene Propylene Diene Monomer (Nordel™)
BUNA	Nitrile Rubber (NBR)	Ryton®	Polyphenylene Sulphide (PPS)
*SS303	Stainless Steel Grade 303 (Insert material)		

### DIMENSIONS



### MODEL NUMBER NOMENCLATURE

