

## 1/2" TC-X150 Series

The TC-X150 pump is specially designed for reliable start/stop and running against dead head & high pressure type applications.

Maximum Flow Rate: 7.4 GPM (28 L/Min)  
 Maximum Discharge Head: 230 ft (70 m)  
 Available in: Glass Fiber Reinforced Polypropylene (PPG),  
 Polyoxymethylene (Acetal®)

Shuttle valve type: Legacy Valve  
 Check Valves: Flat and Ball options  
 Certification: CE, ATEX (select models)



SPECIFICATIONS		
Material Code*	P"X"	DT
Max Flow Rate	7.4 GPM (28 LPM)	
Max Air Pressure	100 PSI (0.7 MPa)	
Max Air Consumption	10.6 scfm (300 L/min)	
Supply Air Pressure Range <sup>1</sup>	30-100 PSI (0.2-0.7 MPa)	
Liquid Discharge Volume per cycle	1.7 oz (50 mL)	
Connection Suction x Discharge	NPT 1/2"	
Weight	7.7 lbs (3.5 kg)	

\* See Chart and Model Number nomenclature on back page for materials

Note 1: A supply air pressure of 30 PSI (0.2 MPa) or more is required to operate the pump. If the supply pressure is less than 30 PSI (0.2 MPa), the pump may not operate properly.

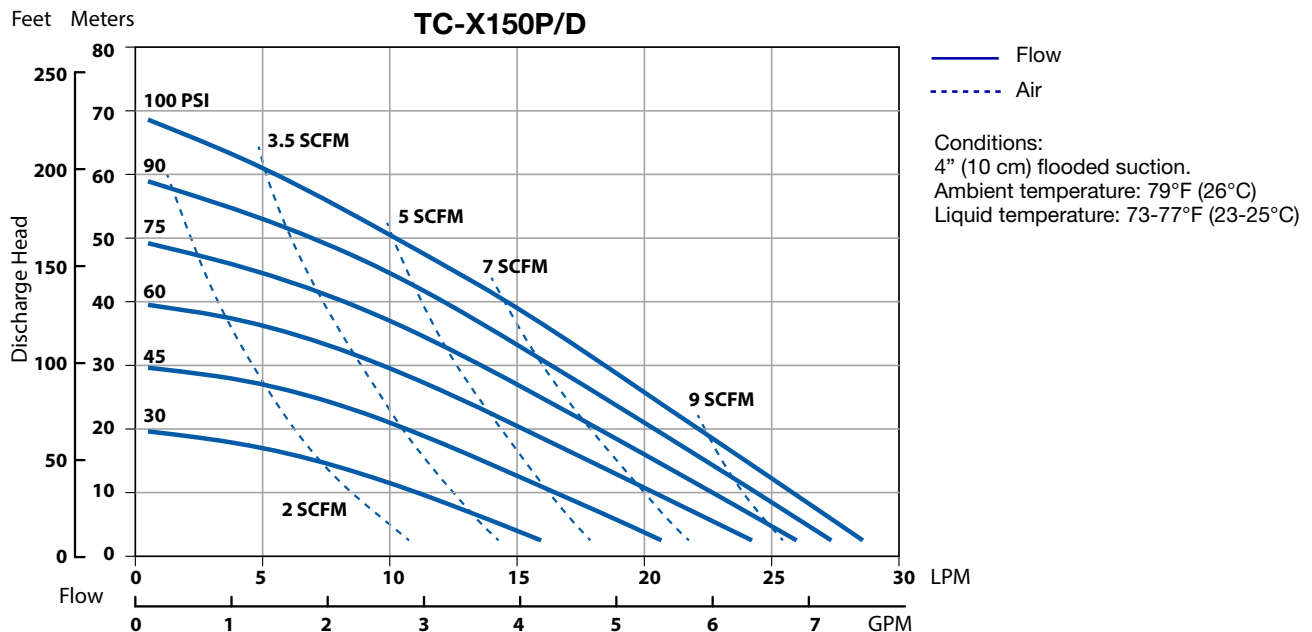
Pump Liquid Temperature Range: 32-140°F(0-60°C)

Ambient Temperature Range: 32-158°F (0-70°C)

Not recommended for use with slurry liquid.

Viscosity Limit: ~500 cps (0.5 Pa-s) (Please contact your distributor for more details)

### PERFORMANCE CURVES



## 1/2" TC-X150 Series

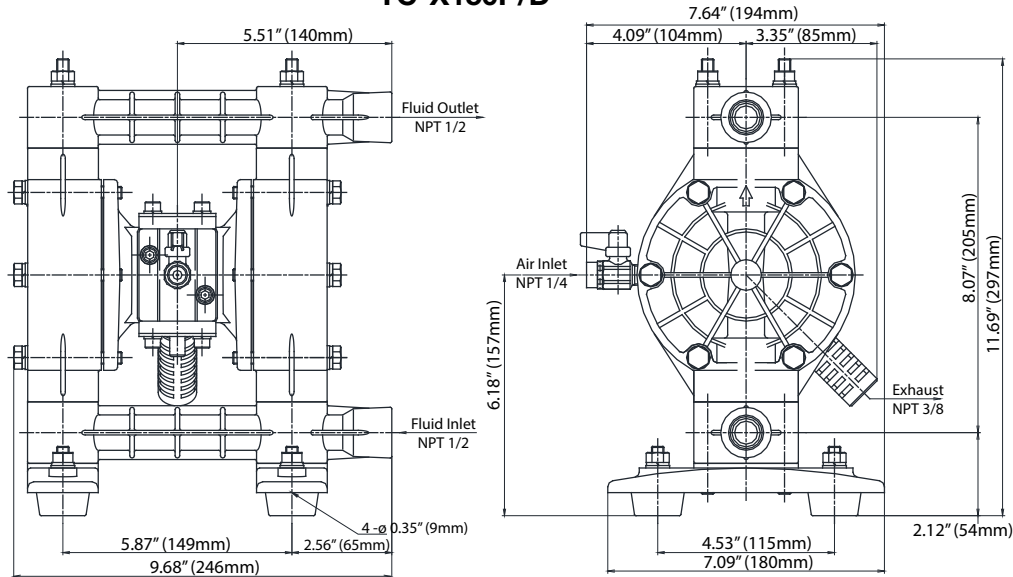
### WET END MATERIALS

Model	Part Name	PC	PN	PT	PH	PS	DT
TC-X 150	Pump wetted parts	PPG					Acetal
	Diaphragm	Neoprene™	BUNA	PTFE	Hytrel™	Santoprene®	PTFE
	Flat Valve	PTFE					
	Valve Seat	PPG					Acetal
	Outer Diaphragm Plate	PPG (SS303*)					Acetal (SS303*)
	Center Body	Aluminum (ADC12)					

PPG Glass Fiber Reinforced Polypropylene  
 PTFE Polytetrafluoroethylene (Teflon®)  
 Neoprene™ Chloroprene Rubber (CR)  
 BUNA Nitrile Rubber (NBR)  
 Santoprene® Thermoplastic PolyOlefin (TPO)  
 Hytrel™ Thermoplastic Polyester Elastomer (TPEE)  
 Acetal Polyoxymethylene (POM)  
 \*SS303 Stainless Steel Grade 303 (insert material)

### DIMENSIONS

#### TC-X150P/D



### MODEL NUMBER NOMENCLATURE

**TC-X 150 P T - BV - NPT**

**Series**  
TC-X

**Pump Connection Size**  
150 (1/2" x 1/2")

**Pump Body Material (wetted)**  
P: PPG  
D: Acetal (POM)

**Diaphragm Material**

T: PTFE  
H: Hytrel™ (TPEE)  
C: Neoprene™ (CR)  
N: BUNA (NBR)  
S: Santoprene® (TPO)  
E: Nordel (EPDM)

**Check Valve Type**  
Blank: Flat Valve  
BV: Ball Valve

**Connection Type**  
NPT: Threaded