

# Air-Operated Double Diaphragm Pumps



## 1" TC-X 252 Series (Non-Metallic)

The TC-X252 1" pumps are available in PVDF for high chemical resistance. Featuring the new Looped C™ Air Motor Technology (patent pending). New Air EcoRing feature (patent pending) provides lower air consumption. Both Flange and Threaded connection models are available.



Maximum Flow Rate: 43.6 GPM (165 L/Min)  
 Maximum Discharge Head: 230 ft (70 m)  
 Available in: Filled Polypropylene and PVDF (Kynar®)  
 Spool valve type: C-Spring Valve  
 Certification: CE, ATEX (select models)



### SPECIFICATIONS

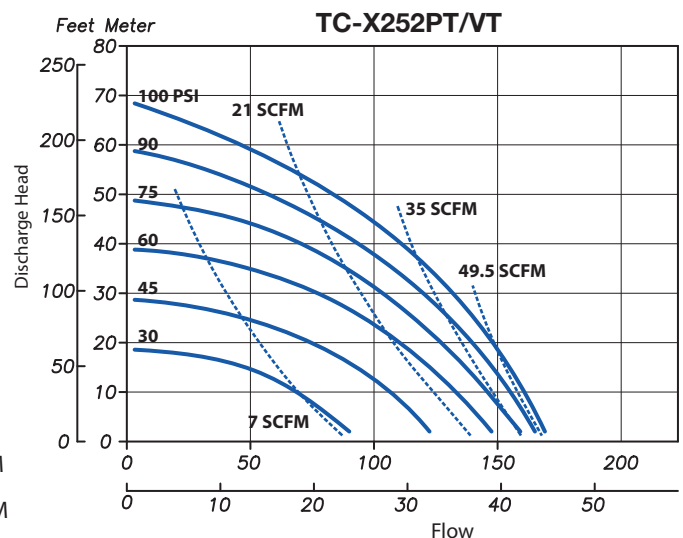
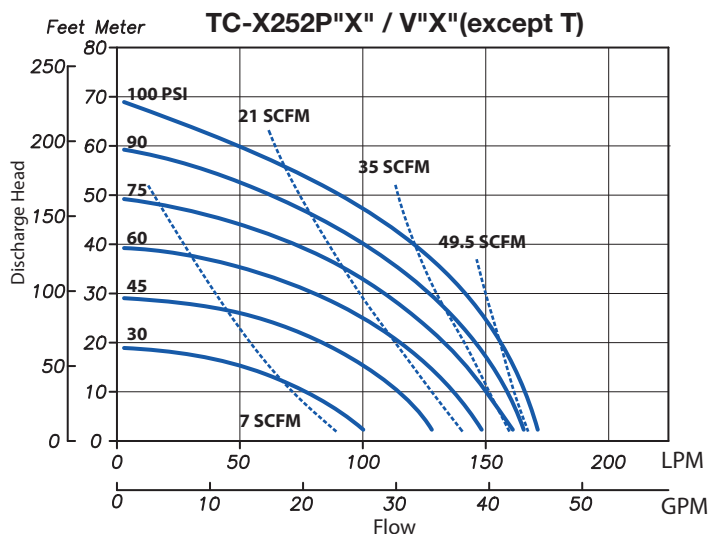
Material Code*	P"X"(-FLA)	V"X"(-FLA)	PT(-FLA)	VT(-FLA)
<b>Max Flow Rate</b>	43.6 GPM (165 LPM)			
<b>Max Air Pressure</b>	100 PSI (0.7 MPa)			
<b>Max Air Consumption</b>	56.5 scfm (1600 L/min)		63.6 scfm (1800 L/min)	
<b>Supply Air Pressure Range <sup>1</sup></b>	30-100 PSI (0.2-0.7 MPa)			
<b>Liquid Discharge Volume per cycle</b>	20 oz (600 mL)		17 oz (500 mL)	
<b>Connection Suction x Discharge</b>	NPT 1"		ANSI 150lb 1" JIS 10 K25A (DIN 25PN10)	
<b>Weight</b>	24.3 lbs (11 kg)	29.8 lbs (13.5 kg)	24.3 lbs (11 kg)	29.8 lbs (13.5 kg)

\* See Chart and Model Number nomenclature on back page for materials  
 Note 1: A supply air pressure of 30 PSI (0.2 MPa) or more is required to operate the pump. If the supply pressure is less than 30 PSI (0.2 MPa), the pump may not operate properly.  
 Pump Liquid Temperature Range: 32-140°F(0-60°C)  
 Ambient Temperature: 32-158°F (0-70°C)  
 Slurry Recommendation: 0.08" (2mm) or less  
 Viscosity Limit: Suction Lift ~3000 cps (3 Pa·s) Force in ~8000cps (8Pa·s) (Pumping slurry is dependent on pump size & materials. Please contact your distributor for more details)

### PERFORMANCE CURVES

— Flow  
 - - - - Air

Conditions:  
 4" (10 cm) flooded suction.  
 Ambient temperature: 75°F (24°C)  
 Liquid temperature: 72-75°F (22-24°C)



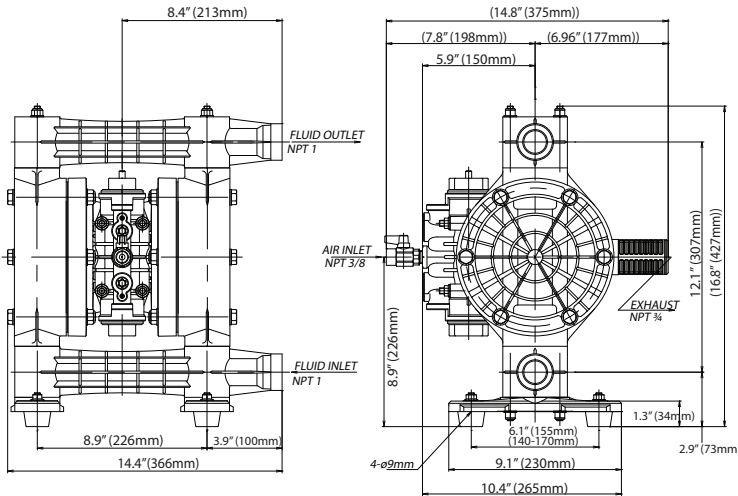
## 1" TC-X 252 Series (non-Metallic)

WET END MATERIALS						
Code	Pump wetted parts	Diaphragm	Ball Valve/ O-Ring	Valve Seat	Outer Diaphragm Plate	Center Body
PC	PPG	Neoprene™	Neoprene™/BUNA	PPG	PPG (SCS13*)	PPG
PN		BUNA	BUNA			
PE		EPDM	EPDM			
PV		Viton®	Viton®			
PT		PTFE	PTFE			
PH		Hytrel™	Hytrel™/BUNA			
PS	Santoprene®	Santoprene®/EPDM				
VE	PVDF	EPDM	EPDM	PVDF	PVDF (SCS13*)	
VV		Viton®	Viton®			
VT		PTFE	PTFE			
VH		Hytrel™	BUNA			
VS		Santoprene®	EPDM			

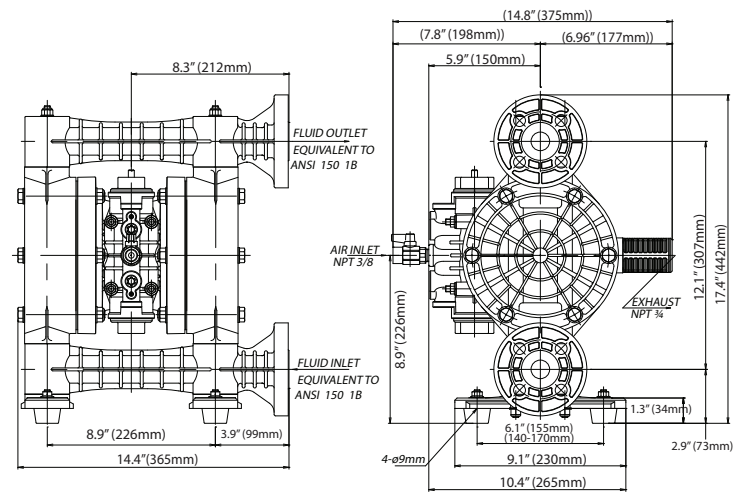
Neoprene™ Chloroprene Rubber (CR)  
 BUNA Nitrile Rubber (NBR)  
 \*SCS13 Cast Stainless Steel (Insert material)  
 PPG Glass Fiber Reinforced Polypropylene  
 PTFE Polytetrafluoroethylene (Teflon®)  
 PVDF Polyvinylidene Fluoride (Kynar®)  
 Hytrel™ Thermoplastic Polyester Elastomer (TPEE)  
 Santoprene® Thermoplastic PolyOlefin (TPO)  
 Viton® Fluoroelastomer (FKM)

### DIMENSIONS

TC-X252P, V



TC-X252P-FLA, V-FLA



### MODEL NUMBER NOMENCLATURE

